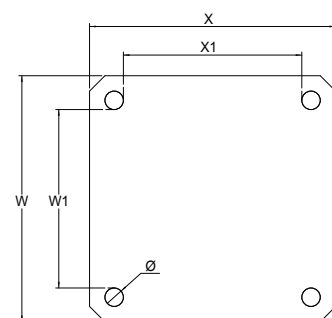


CABLING ACCESSORIES

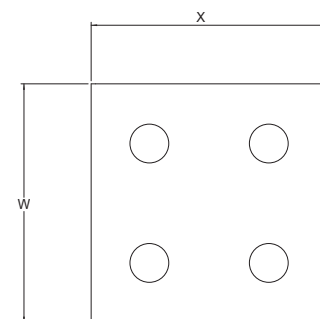
BUSBAR CLAMPS

Code	X1 - W1	X - W	Ø - M	Screws	torque
	dimensions in mm.			M x length	Nm
TBC 25	25x20	45x40	6,5-M6	M6x35	8 Nm
TBC 22	20x20	40x40	6,5-M6	M6x35	8 Nm
TBC 32	32x32	52x52	6,5-M6	M6x35	8 Nm
TBC 42	40x20	60x40	6,5-M6	M6x35	8 Nm
TBC 43	40x32	60x52	6,5-M6	M6x35	8 Nm
TBC 44	40x40	60x60	6,5-M6	M6x35	8 Nm
TBC 52	50x20	75x45	8,5-M8	M8x35	20 Nm
TBC 54	50x40	75x65	8,5-M8	M8x36	20 Nm
TBC 55	50x50	75x75	8,5-M8	M8x37	20 Nm
TBC 63	63x32	88x57	8,5-M8	M8x38	20 Nm
TBC 64	63x40	88x65	8,5-M8	M8x39	20 Nm
TBC 66	63x63	88x88	8,5-M8	M8x40	20 Nm
TBC 84	80x40	115x75	10,5-M10	M10x35	40 Nm
TBC 88	80x80	115x115	10,5-M10	M10x35	40 Nm
TBC 104	100X40	135X75	10,5-M10	M10x35	40 Nm
TBC 106	100X63	135X98	10,5-M10	M10x35	40 Nm
TBC 110	100x100	135x135	10,5-M10	M10x35	40 Nm



BIMETAL PLATES Cu-Al

Code		Holes	X	W	Tickness
Drilled	Undrilled	dimensions in mm.			
TDB 30	TUB 30	P1	30	30	1
TDB 40	TUB 40	P1	40	40	1
TDB 50	TUB 50	P1	50	50	1
TDB 60	TUB 60	P1	60	60	1
TDB 80	TUB 80	P4	80	80	1
TDB 100	TUB 100	P5	100	100	1
TDB 120	TUB 120	P7	120	120	1



TINNED COPPER PLATE

Code		Holes	X	W	Tickness
Drilled	Undrilled	dimensions in mm.			
TDB 30	TUB 30	P1	30	30	5
TDB 40	TUB 40	P1	40	40	5
TDB 50	TUB 50	P1	50	50	5
TDB 60	TUB 60	P1	60	60	5
TDB 80	TUB 80	P4	80	80	5
TDB 100	TUB 100	P5	100	100	5
TDB 120	TUB 120	P7	120	120	5

