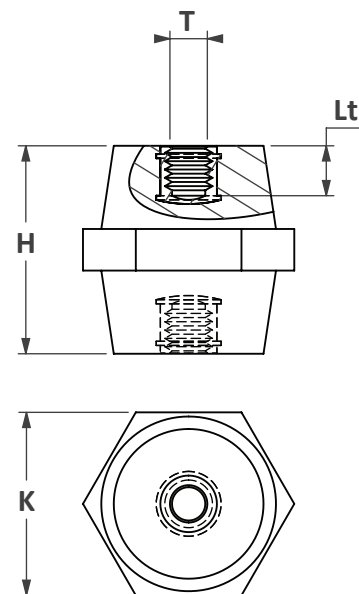


BMC SPACING INSULATORS

Code	H	K	T	Lt	Vn AC/DC	packaging
	dimensions in mm				Volt	pcs
IPM 20 M(T)-19	20	hex 19	M4-M5-M6-M8	5	800	50
IPM 25 M(T)-19	25	hex 19	M4-M5-M6-M8	8	1000	50
IPM 30 M(T)-30	30	hex 30	M6-M8-M10-M12	9	1600	50
IPM 35 M(T)-32	35	hex 32	M6-M8-M10-M12	11	2000	50
IPM 36 M(T)-41	36	hex 41	M6-M8-M10-M12	11	2000	25
IPM 40 M(T)-32	40	hex 32	M6-M8-M10-M12	11	2500	25
IPM 40 M(T)-46	40	hex 46	M6-M8-M10-M12	11	2500	25
IPM 45 M(T)-36	45	hex 36	M6-M8-M10-M12	15	2500	25
IPM 45 M(T)-41	45	oct 41	M6-M8-M10-M12	15	2500	25
IPM 45 M(T)-46	45	hex 46	M6-M8-M10-M12	15	2500	25
IPM 50 M(T)-36	50	hex 36	M6-M8-M10-M12	15	2500	25
IPM 50 M(T)-50	50	hex 50	M6-M8-M10-M12	15	2500	25
IPM 55 M(T)-55	55	hex 55	M6-M8-M10-M12	15	3000	25
IPM 60 M(T)-55	60	hex 55	M6-M8-M10-M12	15	3000	10
IPM 63 M(T)-41	63	hex 41	M6-M8-M10-M12	15	3000	10
IPM 65 M(T)-56	65	hex 56	M6-M8-M10-M12	15	3000	10
IPM 70 M(T)-65	70	hex 65	M6-M8-M10-M12-M16	15	3000	10
IPM 75 M(T)-50	75	hex 50	M8-M10-M12-M16	15	4000	5
IPM 75 M(T)-65	75	oct 65	M8-M10-M12-M16	15	4000	5
IPM 80 M(T)-65	80	hex 65	M8-M10-M12-M16	15	4000	5
IPM 100 M(T)-65	100	oct 65	M8-M10-M12-M16	15	5000	5

- Polyester resin** Bulk Moulding Compound
- Colour** RAL 3002
- Glass fiber content** 20% (±2%)
- Working temperature** -40° C / +110° C
- Fire resistance** UL94 Classe V0 3,2 mm
- Glow wire GWFI** IEC 60695-2-12
960 °C - 2 mm
- Arc resistance** ASTM D 495 >180 S

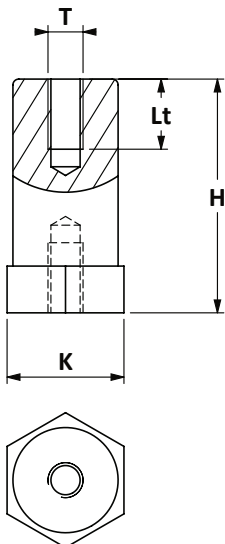


UL Certified version UL suffix at the end of the code



BMC SPACING COLUMNS

Code	H	K	T	Lt	Vn AC/DC	packaging
	dimensions in mm				Volt	pcs
CPM 16 M(T)-20	16	hex 20	M4-M5-M6-M8	4,5	400	100
CPM 20 M(T)-20	20	hex 20	M4-M5-M6-M8	5	800	100
CPM 25 M(T)-20	25	hex 20	M5-M6-M8	8	1000	100
CPM 30 M(T)-20	30	hex 20	M5-M6-M8	9	1600	100
CPM 35 M(T)-20	35	hex 20	M5-M6-M8	9	2000	100
CPM 40 M(T)-20	40	hex 20	M5-M6-M8	9	2000	100
CPM 45 M(T)-20	45	hex 20	M5-M6-M8	9	2000	100
CPM 50 M(T)-20	50	hex 20	M5-M6-M8	9	2500	50
CPM 55 M(T)-20	55	hex 20	M5-M6-M8	9	2500	50
CPM 60 M(T)-20	60	hex 20	M5-M6-M8	9	2500	50
CPM 65 M(T)-20	65	hex 20	M5-M6-M8	9	2500	50
CPM 70 M(T)-20	70	hex 20	M5-M6-M8	9	2500	50
CPM 30 M(T)-30	30	hex 30	M6-M8-M10-M12	9	1600	50
CPM 35 M(T)-30	35	hex 30	M6-M8-M10-M12	11	2000	50
CPM 40 M(T)-30	40	hex 30	M6-M8-M10-M12	11	2000	50
CPM 45 M(T)-30	45	hex 30	M6-M8-M10-M12	15	2000	25
CPM 50 M(T)-30	50	hex 30	M6-M8-M10-M12	15	2500	25
CPM 55 M(T)-30	55	hex 30	M6-M8-M10-M12	15	2500	25
CPM 60 M(T)-30	60	hex 30	M6-M8-M10-M12	15	2500	25
CPM 65 M(T)-30	65	hex 30	M6-M8-M10-M12	15	2500	25
CPM 70 M(T)-30	70	hex 30	M6-M8-M10-M12	15	2500	25
CPM 30 M(T)-40	30	hex 41	M6-M8-M10-M12	9	1600	25
CPM 35 M(T)-40	35	hex 41	M6-M8-M10-M12	11	2000	25
CPM 40 M(T)-40	40	hex 41	M6-M8-M10-M12	11	2000	25
CPM 45 M(T)-40	45	hex 41	M6-M8-M10-M12	15	2000	25
CPM 50 M(T)-40	50	hex 41	M6-M8-M10-M12	15	2500	25
CPM 55 M(T)-40	55	hex 41	M6-M8-M10-M12	15	2500	25
CPM 60 M(T)-40	60	hex 41	M6-M8-M10-M12	15	2500	20
CPM 65 M(T)-40	65	hex 41	M6-M8-M10-M12	15	2500	20
CPM 70 M(T)-40	70	hex 41	M6-M8-M10-M12-M16	15	2500	20



Polyester resin	Bulk Moulding Compound
Colour	RAL 3002
Glass fiber content	20% (±2%)
Working temperature	-40° C / +110° C
Fire resistance	UL94 Classe V0 3,2 mm
Glow wire GWFI	IEC 60695-2-12 960 °C - 2 mm
Arc resistance	ASTM D 495 >180 S

UL Certified version UL suffix at the end of the code

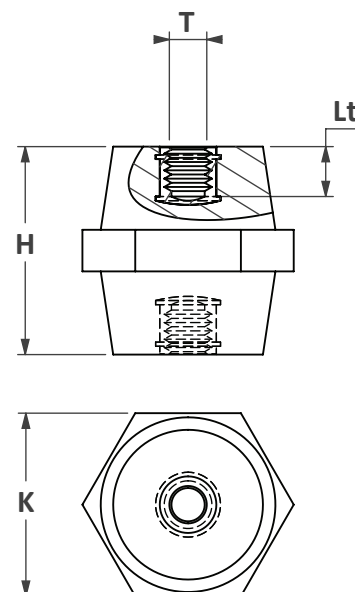


POLYAMIDE SPACING INSULATORS

Code	H	K	T	Lt	Vn AC/DC	packaging
	dimensions in mm				Volt	pcs
IPA 12 M(T)-8	12	hex 8	M3	3,5	400	100
IPA 15 M(T)-14	15	oct 14	M4-M5	4,5	400	100
IPA 16 M(T)-14	16	oct 14	M4-M5	4,5	400	100
IPA 20 M(T)-17	20	hex 17	M4-M5-M6	5	800	100
IPA 25 M(T)-19	25	hex 19	M4-M5-M6	8	1000	100
IPA 30 M(T)-30	30	hex 30	M6-M8-M10-M12	9	1000	50
IPA 35 M(T)-32	35	hex 32	M6-M8-M10-M12	11	1600	50
IPA 35 M(T)-41	35	hex 41	M6-M8-M10-M12	11	2000	50
IPA 40 M(T)-32	40	hex 32	M6-M8-M10-M12	11	2000	50
IPA 40 M(T)-46	40	hex 46	M6-M8-M10-M12	11	2000	25
IPA 45 M(T)-41	45	oct 41	M6-M8-M10-M12	15	2000	25
IPA 45 M(T)-46	45	hex 46	M6-M8-M10-M12	15	2000	25
IPA 50 M(T)-36	50	hex 36	M6-M8-M10-M12	15	2500	25
IPA 50 M(T)-50	50	hex 50	M6-M8-M10-M12	15	2500	25
IPA 55 M(T)-55	55	hex 55	M6-M8-M10-M12	15	2500	25
IPA 60 M(T)-54	60	oct 54	M8-M10-M12	15	2500	10
IPA 63 M(T)-41	63	hex 41	M8-M10-M12	15	2500	10
IPA 70 M(T)-65	70	hex 65	M6-M8-M10-M12-M16	15	3000	10
IPA 75 M(T)-50	75	hex 50	M8-M10-M12-M16	15	3000	10

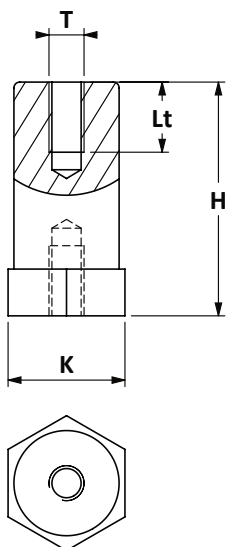
Polyamide 6

- Colour** RAL 3003
- Glass fiber content** 30% (±2%)
- Working temperature** -40° C / +120° C
- Fire resistance** UL94 Classe V0 3,2 mm
- Glow wire GWFI** IEC 60695-2-12
960 °C - 2 mm
- Arc resistance** ASTM D 495 >180 S



POLYAMIDE SPACING COLUMNS

Code	H	K	T	Lt	Vn AC/DC	packaging
	dimensions in mm				Volt	pcs
CPA 16 M(T)-20	16	hex 20	M4-M5-M6-M8	4,5	400	100
CPA 20 M(T)-20	20	hex 20	M4-M5-M6-M8	5	600	100
CPA 25 M(T)-20	25	hex 20	M5-M6-M8	8	600	100
CPA 30 M(T)-20	30	hex 20	M5-M6-M8	9	600	100
CPA 35 M(T)-20	35	hex 20	M5-M6-M8	9	600	100
CPA 40 M(T)-20	40	hex 20	M5-M6-M8	9	600	100
CPA 45 M(T)-20	45	hex 20	M5-M6-M8	9	600	100
CPA 50 M(T)-20	50	hex 20	M5-M6-M8	9	750	100
CPA 55 M(T)-20	55	hex 20	M5-M6-M8	9	750	100
CPA 60 M(T)-20	60	hex 20	M5-M6-M8	9	750	100
CPA 65 M(T)-20	65	hex 20	M5-M6-M8	9	750	100
CPA 70 M(T)-20	70	hex 20	M5-M6-M8	9	750	100
CPA 30 M(T)-30	30	hex 30	M6-M8-M10-M12	9	750	25
CPA 35 M(T)-30	35	hex 30	M6-M8-M10-M12	11	750	25
CPA 40 M(T)-30	40	hex 30	M6-M8-M10-M12	11	1000	25
CPA 45 M(T)-30	45	hex 30	M6-M8-M10-M12	15	1000	25
CPA 50 M(T)-30	50	hex 30	M6-M8-M10-M12	15	1500	25
CPA 55 M(T)-30	55	hex 30	M6-M8-M10-M12	15	1500	25
CPA 60 M(T)-30	60	hex 30	M6-M8-M10-M12	15	1500	25
CPA 65 M(T)-30	65	hex 30	M6-M8-M10-M12	15	1500	25
CPA 70 M(T)-30	70	hex 30	M6-M8-M10-M12	15	1500	25
CPA 30 M(T)-41	30	hex 41	M6-M8-M10-M12	9	750	25
CPA 35 M(T)-41	35	hex 41	M6-M8-M10-M12	11	750	25
CPA 40 M(T)-41	40	hex 41	M6-M8-M10-M12	11	1000	25
CPA 45 M(T)-41	45	hex 41	M6-M8-M10-M12	15	1000	25
CPA 50 M(T)-41	50	hex 41	M6-M8-M10-M12	15	1500	25
CPA 55 M(T)-41	55	hex 41	M6-M8-M10-M12	15	1500	25
CPA 60 M(T)-41	60	hex 41	M6-M8-M10-M12	15	1500	20
CPA 65 M(T)-41	65	hex 41	M6-M8-M10-M12	15	1500	20
CPA 70 M(T)-41	70	hex 41	M6-M8-M10-M12-M16	15	1500	20



Polyamide 6

Colour	RAL 3003
Fibers content	30% (±2%)
Fire resistance	UL94 Classe V0 3,2 mm
Glow wire GWFI	IEC 60695-2-12 960 °C - 2 mm
Arc resistance	ASTM D 495 >180 S